

Planar Light Circuit (PLC) Optical Splitter - LGX Box



Description

The BlueOptics® BOSPPMXNXXYYA PLC Optical Splitter is a high density, high performance, cost effective solution to exhibit uniform signal splitting for the most advanced optical networks.

BlueOptics® PLC Optical Splitter offer low wavelength sensitivity, small size, high reliability, perfect splitting uniformity and a wide wavelength range. It is especially applicable to OLT and ONT connection and splitting of optical signals over FTTX passive optical networks.

BlueOptics® PLC Optical Splitter are available in many different variants to fit your needs:

- Single Mode
- LC or SC Connector
- PC or APC Polish
- 1xN or 2xN Version
- N can be up to 64 Ports

Features

- ✓ Planar Light Circuit
- ✓ 1260nm to 1650nm
- ✓ Up to 64 Cores
- ✓ LC or SC Version available
- ✓ Low insertion loss
- ✓ Low polarization dependent loss
- ✓ More credible and stable than fusion coupler splitter
- ✓ Complaint to Telcordia standards
- ✓ Color: Black RAL 9004
- ✓ Interferometer tested
- ✓ Test Report
- ✓ Single Packed

Applications

- ✓ FTTX Systems
- ✓ Operator Networks
- ✓ PON Networks
- ✓ CATV Links

Warnings

Laser Safety: Even small radiation emitted by laser devices can be dangerous to human eyes and lead to permanent eye injuries. Be sure to avoid eye contact with direct or indirect radiation.

Warranty

Every BlueOptics® PLC Splitter comes with a 25 year replacement warranty and lifetime support.

For a warranty inquiry, please contact your CBO sales representative.

This warranty only covers the first user of the equipment.

Important Notice

Performance figures, data and any illustrative material provided in this data sheet are typical and must be specifically confirmed in writing by CBO before they become applicable to any particular order or contract. In accordance with the CBO policy of continuous improvement specifications may change without notice.

The publication of information in this data sheet does not imply freedom from patent or other protective rights of CBO or others.

Further details are available from any CBO sales representative.

Regulatory Compliance

Feature	Standard	Co.
Telcordia	GR-1221-CORE-1999	✓
Telcordia	GR-1209-CORE-2001	✓
Flame Resistance	IEC 60332-1, IEC 60332-3	✓
RoHS	2002/95/EC	✓

Order Information

Part No.	Port1	Port2	Connector
BOSPP1X4LALAA	1	4	LC/APC
BOSPP1X8LALAA	1	8	LC/APC
BOSPP1X16LALAA	1	16	LC/APC
BOSPP1X32LALAA	1	32	LC/APC
BOSPP1X64LALAA	1	64	LC/APC
BOSPP2X4LALAA	2	4	LC/APC
BOSPP2X8LALAA	2	8	LC/APC
BOSPP2X16LALAA	2	16	LC/APC
BOSPP2X32LALAA	2	32	LC/APC
BOSPP2X64LALAA	2	64	LC/APC
BOSPP1X4LPLPA	1	4	LC/PC
BOSPP1X8LPLPA	1	8	LC/PC
BOSPP1X16LPLPA	1	16	LC/PC
BOSPP1X32LPLPA	1	32	LC/PC
BOSPP1X64LPLPA	1	64	LC/PC
BOSPP2X4LPLPA	2	4	LC/PC
BOSPP2X8LPLPA	2	8	LC/PC
BOSPP2X16LPLPA	2	16	LC/PC
BOSPP2X32LPLPA	2	32	LC/PC
BOSPP2X64LPLPA	2	64	LC/PC
BOSPP1X4SASAA	1	4	SC/APC
BOSPP1X8SASAA	1	8	SC/APC
BOSPP1X16SASAA	1	16	SC/APC
BOSPP1X32SASAA	1	32	SC/APC
BOSPP1X64SASAA	1	64	SC/APC
BOSPP2X4SASAA	2	4	SC/APC
BOSPP2X8SASAA	2	8	SC/APC
BOSPP2X16SASAA	2	16	SC/APC
BOSPP2X32SASAA	2	32	SC/APC
BOSPP2X64SASAA	2	64	SC/APC
BOSPP1X4SPSPA	1	4	SC/PC
BOSPP1X8SPSPA	1	8	SC/PC
BOSPP1X16SPSPA	1	16	SC/PC
BOSPP1X32SPSPA	1	32	SC/PC
BOSPP1X64SPSPA	1	64	SC/PC
BOSPP2X4SPSPA	2	4	SC/PC
BOSPP2X8SPSPA	2	8	SC/PC
BOSPP2X16SPSPA	2	16	SC/PC
BOSPP2X32SPSPA	2	32	SC/PC
BOSPP2X64SPSPA	2	64	SC/PC

1. Specifications 1xN PLC Optical Splitter

Parameters	1x2	1x4	1x8	1x16	1x32	1x64
Operating Wavelength(nm)	1260 ~ 1650					
Fiber Type	G657A					
Insertion Loss(dB)	3.8	7.1	10.2	13.5	16.8	20.1
Loss Uniformity(dB)	0.4	0.6	0.8	1.2	1.5	2
Return Loss(dB)	55	55	55	55	55	55
Polarization Dependent Loss(dB)	0.2	0.2	0.2	0.3	0.3	0.35
Directivity (dB)	55	55	55	55	55	55
Temperature Stability (-40~85°C)(dB)	0.5	0.5	0.5	0.5	0.5	0.5
Operating Temperature (°C)	-40 to +85					
Storage Temperature (°C)	-40 to +85					
Device Dimension(mm) (L×W×H)	40x4x4	40x4x4	40x4x4	50x4x4	50x7x4	60x12x4
LGX Box Dimension(mm) (L×W×H)	130x100x25	130x100x25	130x100x25	130x100x50	130x100x102	130x100x206

Notes:

- Specified without connector
- Add an additional 0.30dB loss per connector

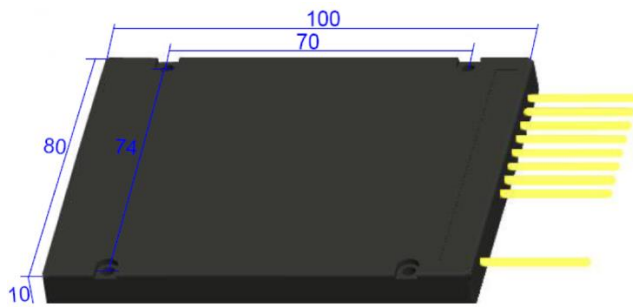
2. Specifications 2xN PLC Optical Splitter

Parameters	2x2	2x4	2x8	2x16	2x32	2x64
Operating Wavelength(nm)	1260 ~ 1650					
Fiber Type	G657A					
Insertion Loss(dB)	4.0	7.3	10.5	13.8	17.0	20.5
Loss Uniformity(dB)	1.0	1.5	1.5	2.0	2.0	2.5
Return Loss(dB)	55	55	55	55	55	55
Polarization Dependent Loss(dB)	0.3	0.3	0.3	0.3	0.3	0.5
Directivity (dB)	55	55	55	55	55	55
Temperature Stability (-40~85°C)(dB)	0.5	0.5	0.5	0.5	0.5	0.5
Operating Temperature (°C)	-40 to +85					
Storage Temperature (°C)	-40 to +85					
Device Dimension(mm) (L×W×H)	40x4x4	40x4x4	40x4x4	50x4x4	50x7x4	60x12x4
LGX Box Dimension(mm) (L×W×H)	130x100x25	130x100x25	130x100x25	130x100x50	130x100x102	130x100x206

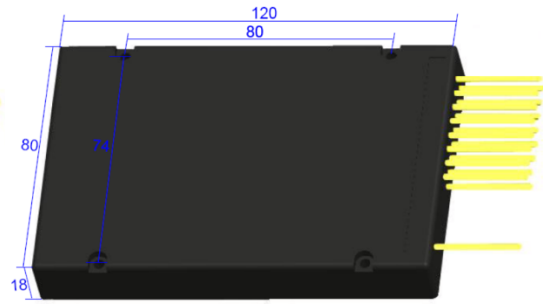
Notes:

- Specified without connector
- Add an additional 0.30dB loss per connector

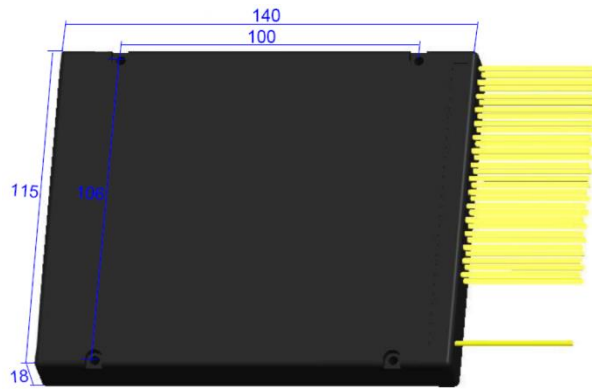
3. Mechanical Specifications (Unit: mm)



Mx4 and Mx8



Mx16



Mx32 and Mx64