

SFP+ DWDM 10G C-Band Single mode Optical Transceiver



Description

The BlueOptics® BO57JXX680D SFP+ transceiver is a high performance, cost effective module supporting a data rate up to 10Gbps with 80 Kilometer link length on single mode fiber.

BlueOptics® transceivers are 100% compliant with SFP+ Multi-Source Agreement (MSA).

All BlueOptics® SFP+ transceivers are always equipped with digital diagnostic function compliant to MSA SFF-8472.

Using digital diagnostic, BlueOptics® SFP+ transceivers provide the following real time information:

- Supply voltage
- Laser bias current
- Laser average output power
- Laser received input power
- Temperature

The transceiver consists of five sections: A DWDM EML transmitter, an APD photodiode, a trans-impedance preamplifier (TIA), the LD Driver and the digital diagnostic function.

Applications

- ✓ 10G Ethernet – IEEE802.3ae
- ✓ 10G Fibre Channel – 1413-D
- ✓ SONET/ SDH – OC192/SDH-64
- ✓ OC-192 over FEC - G.709
- ✓ 10GBs Ethernet over G.709

Features

- ✓ 9.95Gb/s to 11.3Gb/s Data Links on 80KM Single Mode Fiber
- ✓ DWDM EML laser transmitter
- ✓ APD photo-diode
- ✓ Hot-pluggable SFP+ footprint compliant to SFF-8431
- ✓ Duplex LC/UPC type pluggable optical interface
- ✓ 2-wire interface for management
- ✓ Metal enclosure, for lower EMI
- ✓ RoHS compliant and lead-free
- ✓ Single +3.3V power supply
- ✓ Compliant with SFF-8472
- ✓ CDR available
- ✓ Case operating temperatures:
 - Commercial: 0°C to +70°C
 - Industrial: -40°C to +85°C

Warnings

Handling Precautions: This device is susceptible to damage as a result of electrostatic discharge (ESD). A static free environment is highly recommended.

Laser Safety: Even small radiation emitted by laser devices can be dangerous to human eyes and lead to permanent eye injuries. Be sure to avoid eye contact with direct or indirect radiation.

Warranty

Every BlueOptics® transceiver comes with a 5 year replacement warranty and lifetime support.

For a warranty inquiry, please contact your CBO sales representative.

This warranty only covers the first user of the equipment.

Important Notice

Performance figures, data and any illustrative material provided in this data sheet are typical and must be specifically confirmed in writing by CBO before they become applicable to any particular order or contract. In accordance with the CBO policy of continuous improvement specifications may change without notice.

The publication of information in this data sheet does not imply freedom from patent or other protective rights of CBO or others.

Further details are available from any CBO sales representative.

Installation

Before installation attach an ESD-preventive wrist to ensure not to damage the transceiver or hardware.

BlueOptics® BO57JXX680D can be installed in any Small Form Factor Pluggable+ (SFP+) port. You can install the BO57JXX680D regardless if the system is powered on or off, because it is hot-swappable.

Insert the transceiver into the SFP+ port and remove the dust cap.

You can now connect your cable.

Order Information

Part No.	Temp.	DDM
BO57JXX680D	0°C to +70°C	✓

Options (need to be mention when ordered):

- no CDR / CDR
- Temp 0°C to 70°C / -45°C to +85°C

XX can be following Channel:

CH	λ (nm)	f (THZ)	CH	λ (nm)	f (THZ)
13	1567.13	191.30	37	1547.72	193.70
14	1566.31	191.40	38	1546.92	193.80
15	1565.50	191.50	39	1546.12	193.90
16	1564.68	191.60	40	1545.32	194.00
17	1563.86	191.70	41	1544.53	194.10
18	1563.05	191.80	42	1543.73	194.20
19	1562.23	191.90	43	1545.32	194.30
20	1561.42	192.00	44	1542.14	194.40
21	1560.61	192.10	45	1541.35	194.50
22	1559.79	192.20	46	1540.56	194.60
23	1558.98	192.30	47	1539.77	194.70
24	1558.17	192.40	48	1538.98	194.80
25	1557.36	192.50	49	1538.19	194.90
26	1556.55	192.60	50	1537.40	195.00
27	1555.75	192.70	51	1536.61	195.10
28	1554.94	192.80	52	1535.82	195.20
29	1554.13	192.90	53	1534.04	195.30
30	1554.13	193.00	54	1534.25	195.40
31	1553.33	193.10	55	1533.47	195.50
32	1552.52	193.20	56	1532.68	195.60
33	1551.72	193.30	57	1531.90	195.70
34	1550.92	193.40	58	1531.12	195.80
35	1549.32	193.50	59	1530.33	195.90
36	1548.51	193.60	60	1529.55	196.00
Non-ITU	1528.77- 1567.13nm		61	1528.77	196.10

Regulatory Compliance

Feature	Standard	Co.
Electrostatic Discharge (ESD)	- IEC/EN 61000-4- 2	✓
Electromagnetic Interference (EMI)	- FCC Part 15 Class B EN 55022 - Class B (CISPR 22A)	✓
Laser Eye Safety	- FDA 21CFR 1040.10, 1040.11 - IEC/EN 60825-1, 2	Class 1 ✓
Component Recognition	- IEC/EN 60950, UL	✓
RoHS	- 2002/95/EC	✓
EMC	- EN61000-3	✓

1. Absolute Maximum Ratings

Parameter	Symbol	Min.	Typ.	Max.	Unit
Storage Temperature	Ts	-40		85	°C
Storage Ambient Humidity	HA	5		95	%

2. Recommended Operating Conditions

Parameter	Symbol	Min.	Typ.	Max.	Unit	Note
Case Operating Temperature	Tcase	0		70		BO57JXX680D
		-40		85		With option
Ambient Humidity	HA	5		70	%	
Transmission Distance				80	KM	
Coupled Fiber	Single mode fiber					9/125μm SMF

3. Electrical Interface Characteristics

Parameter	Symbol	Min.	Typ.	Max.	Unit	Note
Power Supply Voltage	Vcc	3.14	3.3	3.46	V	
Signal Input Voltage	Icc	450		600	mA	1
Transmitter						
Input differential impedance	Rin		100		Ω	2
Single ended data input swing	Vin,pp	180		700	mV	
Transmit Disable Voltage	VD	2.0		Vcc	V	
Transmit Enable Voltage	VEN	Vee		Vee+0.8	V	3
Transmit Disable Assert Time				10	μs	
Receiver						
Differential data output swing	Vout,pp	400		800	mV	4
Data output rise time	tr	30			Ps	5
Data output fall time	tf	30			Ps	5
LOS Fault	VLOS fault	2.0		VccHOST	V	6
LOS Normal	VLOS norm	Vee		Vee+0.8	V	6

Notes:

1. Vary on Product Option and Temperature
2. Internally AC coupled
3. Or open circuit
4. Into 100Ω differential termination
5. 20-80%
6. LOS is an open collector output. Should be pulled up with 4.7KΩ on the host board

4. Transmitter Specifications - Optical

Parameter	Symbol	Min.	Typ.	Max.	Unit	Note
Power Budget		23				
Average Output Power	P _{OUT}	0		4	dBm	
Extinction Ratio	ER	8.2			dB	
Center Wavelength	λ _C	λ-0.1	λ	λ+0.1	nm	
Center Wavelength Spacing			100		GHz	1
Sidemode Suppression ratio	SSR _{min}	30				
Transmitter and Dispersion Penalty	TDP			3	dB	
Average Launch Power	P _{OFF}			-30	dBm	
Output Eye Mask	Compliant with IEEE 802.3ae					

Notes:

1. Corresponds to approximately 0.8 nm

5. Receiver Specifications - Optical

Parameter	Symbol	Min.	Typ.	Max.	Unit	Note
Input Optical Wavelength	λ _{IN}	1270		1610	nm	
Receiver Sensitivity	P _{IN}			-23	dBm	1
Input Saturation Power (Overload)	P _{SAT}	-6			dBm	
LOS Assert	P _A	-35			dBm	
LOS De-assert	P _D			-25	dBm	
LOS Hysteresis	P _A -P _D	0.5			dB	

Notes:

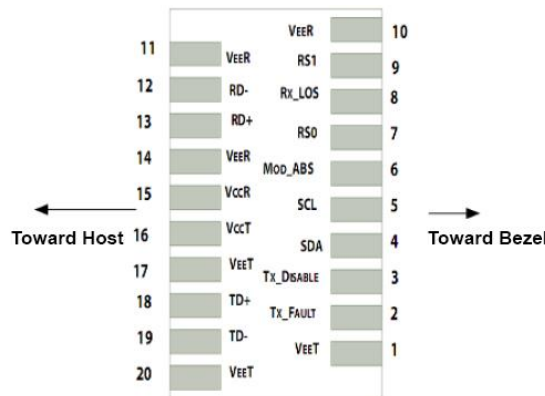
1. Measured with 10Gb/s; BER =<10⁻¹² @PRBS=2³¹-1 non-return-to-zero.

6. SFP+ to Host Connector Pin Out

Pin	Symbol	Name / Description	Note
1	V _{EET}	Transmitter Ground (Common with Receiver Ground)	1
2	T _{FAULT}	Transmitter Fault indication	2
3	T _{DIS}	Transmitter Disable	3
4	SDA	2-wire Serial Interface Data Line	4
5	SCL	2-wire Serial Interface Clock Line	4
6	MOD-ABS	Module Absent. Grounded within the module	4
7	RS0	Rate Select 0	5
8	LOS	Loss of Signal indication	6
9	RS1	No connection required	1
10	V _{EER}	Receiver Ground (Common with Transmitter Ground)	1
11	V _{EER}	Receiver Ground (Common with Transmitter Ground)	1
12	RD-	Inv. Received Data Out	
13	RD+	Received Data Out	
14	V _{EER}	Receiver Ground (Common with Transmitter Ground)	1
15	V _{CCR}	Receiver Power Supply	
16	V _{CCT}	Transmitter Power	
17	V _{EET}	Transmitter Ground (Common with Receiver Ground)	1
18	TD+	Transmit Data In	
19	TD-	Inv. Transmit Data In	
20	V _{EET}	Transmitter Ground (Common with Receiver Ground)	1

Notes:

1. Circuit ground is isolated from chassis ground.
2. Needs to be pulled up with 4.7k – 10kΩ on host board to a voltage from 2.0V to Vcc + 0.3V.
3. Tx_Disable is an input contact with a 4.7 kΩ to 10 kΩ pullup to VccT inside the module.
4. Mod_ABS is connected to VeeT or VeeR in the SFP+ module. The host may pull this contact up to Vcc_Host with a resistor from 4.7 kΩ up to 10 kΩ.
5. RS1 are module inputs and are pulled low to VeeT with > 30 kΩ resistors in the module.
6. This is an open collector output, which should only be pulled with a resistor of 4.7k - 10kΩ. Pull up voltage between 2.0V and 3.6V. Logic 1 indicates loss of signal; logic 0 indicates normal operation. The output will be pulled to less than 0.8V.



Pinout of Connector Block on Host Board

7. EEPROM Information

The SFP MSA defines a 256-byte memory map in EEPROM describing the transceivers capabilities, standard interfaces, manufacturer, and other information, which is accessible over a 2 wire serial interface at the 8-bit address 1010000X (A0h).

Data Address	Field Size (Bytes)	Name of Field	Contents (Hex)	Description
0	1	Identifier	XX	Formfactor
1	1	Ext. Identifier	XX	
2	1	Connector	XX	
3-10	8	Transceiver	XX XX XX XX XX XX XX XX	Transmittter Code
11	1	Encoding	XX	
12	1	BR, Nominal	XX	Transceiver Speed
13	1	Reserved	00	
14	1	Length (9µm) km	XX	Max. link length in KM
15	1	Length (9µm) 100m	XX	Max. link length in M
16	1	Length (50µm) 10m	XX	Max. link length in M
17	1	Length(62.5µm)10m	XX	Max. link length in M
18	1	Length (Copper)	XX	Max. link length in M
29	1	Reserved	00	
30-35	16	Vendor name	XX XX XX XX XX XX XX XX XX XX XX XX XX XX XX XX	Vendor name - OEM
36	1	Reserved	00	
37-39	3	Vendor OUI	XX XX XX	
40-55	16	Vendor PN	XX XX XX XX XX XX XX XX XX XX XX XX XX XX XX XX	Product Number - depending on Part
56-59	4	Vendor rev	XX XX XX XX	Vendor revision
60-61	2	Wavelength	XX XX	Transceiver

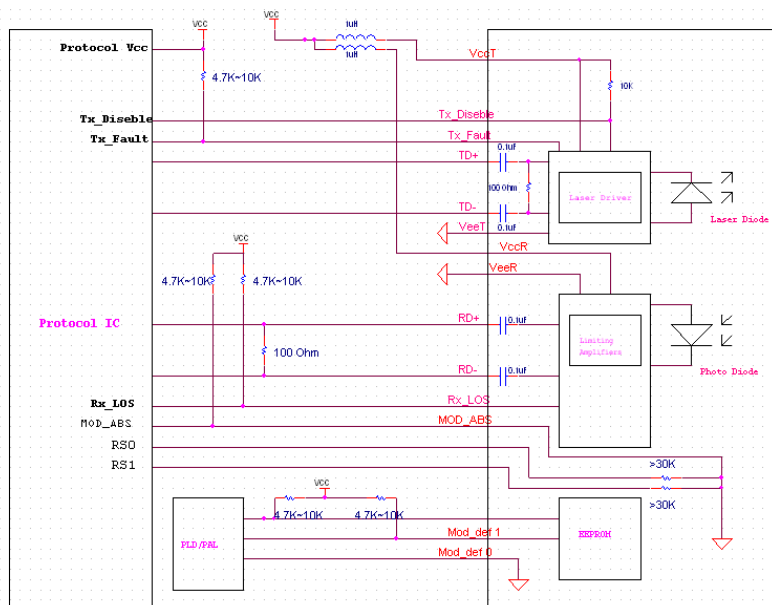
				Wavelength
62	1	Reserved	00	
63	1	CC BASE	XX	Checksum of bytes 0-62
64-65	2	Options	XX XX	
66	1	BR, max	XX	
67	1	BR, min	XX	
68-83	16	Vendor SN	XX XX XX XX XX XX XX XX XX XX XX XX XX XX XX XX	Part serial number
84-91	8	Vendor date code	XX XX XX XX XX XX 20 20	Year, Month, Day
92	1	Diagnostic type	XX	Diagnostics
93	1	Enhanced option	XX	Diagnostics
94	1	SFF-8472	XX	Diagnostics
95	1	CC_EXT	XX	Checksum of bytes 64-94
96-255	160	Vendor Specific		

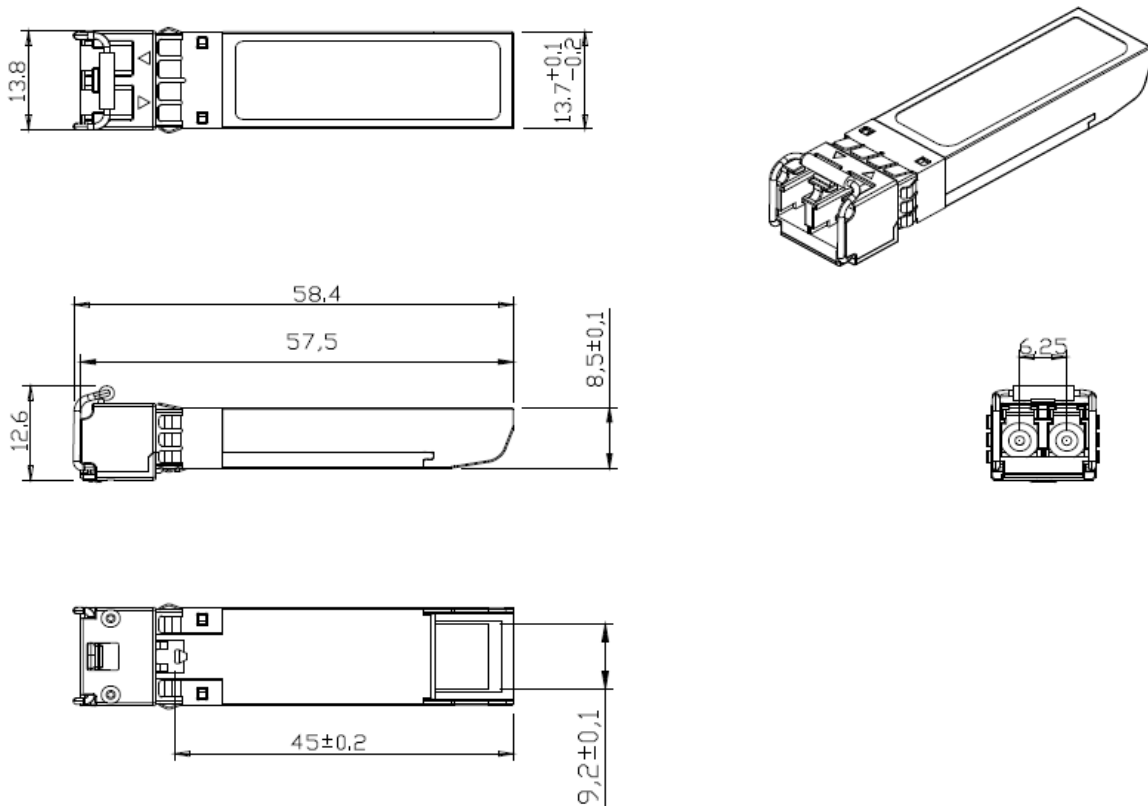
8. Digital Diagnostics / Digital Optical Monitoring

The transceiver provides serial ID memory contents and diagnostic information about the present operating conditions by the 2-wire serial interface (SCL, SDA).

The diagnostic information with internal calibration or external calibration are all implemented, including received power monitoring, transmitted power monitoring, bias current monitoring, supply voltage monitoring and temperature monitoring.

9. Recommended Interface Circuit



10. Mechanical Specifications (Unit: mm)**11. Revision History**

Revision	Initiated	Review	Approved	History	Release Date
V 1.0	Michael	Olaf	Volker	Released	02 / 2015
V 1.1	Michael	Olaf	Volker	Updated electrical specs	02 / 2016
V 1.2	Michael	Olaf	Volker	Updated cycles	03 / 2017
V 1.3	Michael	Olaf	Volker	Updated optical specs	05 / 2017
V 1.4	Michael	Olaf	Volker	Updated optical specs	03 / 2022